



Glider Base™ (Non-recline)

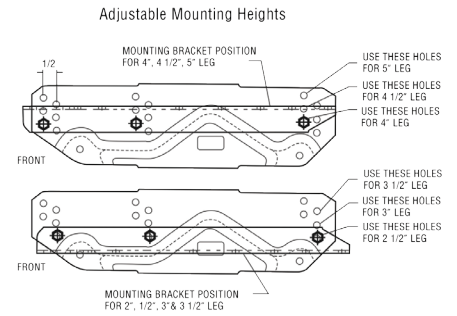


1010 (left), 1010 with swivel (right)

Gliding motion component

Key Features & Benefits

- Six adjustable seat heights on mounting brackets.
- Seven size widths - allows for greater floor stability and ability to fit on current club chair styles.
- Easy mounting to bottom of leg rails.
- Available for different applications: chair, love seat, and Ottomans.
- Large-diameter cross tubes provide greater side-to-side stability and torque control.



Swivels
& Glides



For further detailed product specifications please visit us online...
www.LeggettMotion-Intl.com

